

Electrically actuated 3-way ball valves VE3V - Stainless steel



- Stainless steel body
- Fittings from BSP 1/4" to 2"
- Electric actuator with position pointer and emergency manual override

DESCRIPTION

Electrically actuated 3-way ball valves are useful for redirecting or to stop the flow of liquids in piping systems. These models are designed for aggressive liquids; In standard versions they allow a manual operating for maintenance (or emergency operations) and a position pointer. The power supply must be switched off before a manual operating.

All operating modes (according bore shapes) are described in the data-sheet da913-20.

TECHNICAL FEATURES

3-way Ball valves:

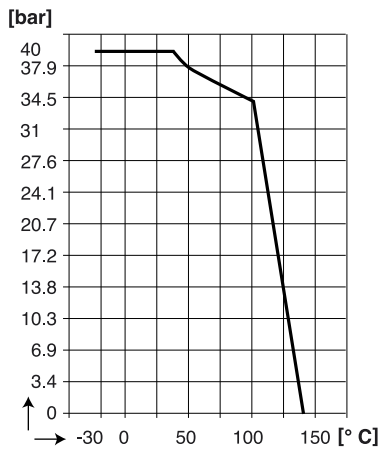
Body	AISI 316
Seals	PTFE
T or L bore shapes	AISI 316
Ball seat	PTFE, glass-fiber reinforced (15 %)
Fittings	BSP, female threads
Pressure limit	40 bar
Operating temperature	-30 ... +100 °C; up to 140 °C on request From and over 100 °C: Please request confirmation on feasibility

Electric actuator:

Movement	90°
Emergency override:	Manual
Duty rating	30 %
Protection	IP 65
Connections	1 Cable gland: M20 - ISO 1 connector 3 poles + ground, DIN 43650
Consumption	1/4" up to 1": 15 W 1 1/4" up to 2": 45 W
Multi-voltage power supplies	100 ... 240 V AC 50/60 Hz and 100 ... 350 V DC or 24 V AC 50/60 Hz and 24 V DC

OPTIONS	Fail safe (back to 0° in case of power failure) Electronic positioning servo on 4-20 mA signal (or 0-20 mA, or 0-10 V)
---------	---

EC Conformity: The instrument meets the legal requirements of the current European Directives.



Pressure vs. Temperature

BAMO INTERNATIONAL

22, Rue de la Voie des Bans · Z.I. de la gare · 95100 ARGENTEUIL
Tel +33 (0)1 30 25 83 20 Web www.bamo.eu
Fax +33 (0)1 34 10 16 05 E-mail export@bamo.fr

Electrically actuated 3-way
ball valves
VE3V - Stainless steel

04-11-2019

D-1014.02-EN-AC

METAL

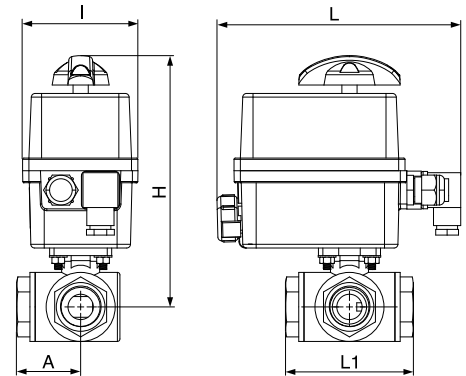
1014-02 /1

CODE NUMBERS AND REFERENCES

		24 V AC & 24 V DC		100 ... 240 V AC & 100 ... 350 V DC	
ND	ND	Ball L bored	Ball T bored	Ball L bored	Ball T bored
1/4"	10	M 1014 101	M 1014 121	M 1014 141	M 1014 161
3/8"	12	M 1014 102	M 1014 122	M 1014 142	M 1014 162
1/2"	15	M 1014 103	M 1014 123	M 1014 143	M 1014 163
3/4"	20	M 1014 104	M 1014 124	M 1014 144	M 1014 164
1"	25	M 1014 105	M 1014 125	M 1014 145	M 1014 165
1 1/4"	32	M 1014 106	M 1014 126	M 1014 146	M 1014 166
1 1/2"	40	M 1014 107	M 1014 127	M 1014 147	M 1014 167
2"	50	M 1014 108	M 1014 128	M 1014 148	M 1014 168

DIMENSIONS [mm]

ND	ND	A	L1	I	L	H
1/4"	10	40	80	92	193	181
3/8"	12					183
1/2"	15					191
3/4"	20	44	88	128	208	196
1"	25	50	100			205
1 1/4"	32	61	123			247
1 1/2"	40	71	149	128	208	258
2"	50	85	171			



BAMO INTERNATIONAL

22, Rue de la Voie des Bans · Z.I. de la gare · 95100 ARGENTEUIL

Tel +33 (0)1 30 25 83 20 Web www.bamo.eu

Fax +33 (0)1 34 10 16 05 E-mail export@bamo.fr

Electrically actuated 3-way
ball valves
VE3V - Stainless steel

04-11-2019

D-1014.02-EN-AC

METAL

1014-02 /2