

# Electrically actuated butterfly valves VEP - INOX



- Valves from ND 50 up to ND 300
- Operating pressure: 6 bar max.
- Electric actuator with position pointer and emergency manual override

## DESCRIPTION

Electrically actuated butterfly valves are useful to allow or to stop the flow of liquids in piping systems. Wet parts are only the seat, seals and the disk. In standard versions a manual operating for maintenance (or emergency operations) is available. Three electric motors cover all requirements from ND 50 up to ND 250 (ND 300: on request).

## TECHNICAL FEATURES

### Butterfly valve:

Body	Cast iron, epoxy painted
Seals and seat	<b>EPDM / ACS Certified</b>
Disk	AISI 316 (1.4408)
Wafer mount	Between flanges PN 16 / EN1092-1, NFE 29203
Pressure limit	6 bar; On request: 10 / 16 bar

### Electric actuators:

Movement	90°
Emergency override	Manual

### Features for ND 50 and ND 65

Duty rating	30 %
Protection	IP 65
Connections	1 Cable gland M20 - ISO 1 connector 3 poles + ground, DIN 43650
Consumption	15 W
Multi-voltage power supplies	100 ... 240 V AC 50/60 Hz and 100 ... 350 V DC or 24 V AC 50/60 Hz and 24 V DC

### Features for ND 80 up to ND 125

Duty rating	30 %
Protection	IP 65
Connections	2 Cable glands M20 - ISO
Consumption	45 W
Multi-voltage power supplies	100 ... 240 V AC 50/60 Hz and 100 ... 350 V DC or 24 V AC 50/60 Hz and 24 V DC

### Features for ND 150 up to ND 250 (ND 300: on request)

Duty rating	50 %
Protection	IP 67
Connections	2 Cable glands M20 - ISO
Consumption	45 W
Multi-voltage power supplies	100 ... 240 V AC 50/60 Hz and 100 ... 350 V DC or 15 ... 30 V AC 50/60 Hz and 12 ... 48 V DC (ND 150 ... ND 250)

OPTIONS: On request

EC Conformity: The instrument meets the legal requirements of the current European Directives.



**BAMO** INTERNATIONAL

22, Rue de la Voie des Bans · Z.I. de la gare · 95100 ARGENTEUIL  
Tel +33 (0)1 30 25 83 20 Web [www.bamo.eu](http://www.bamo.eu)  
Fax +33 (0)1 34 10 16 05 E-mail [export@bamo.fr](mailto:export@bamo.fr)

Electrically actuated butterfly  
valves  
**VEP - INOX**

05-11-2019

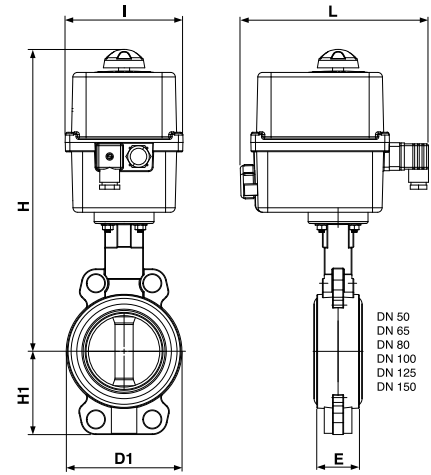
D-1014.03-EN-AA

**METAL**

**1014-03 /1**

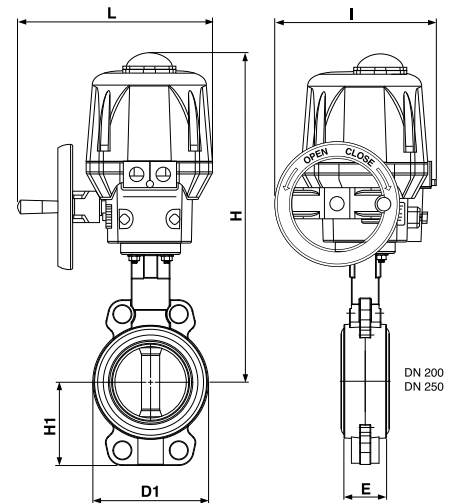
## CODE NUMBERS AND REFERENCES

	24 V AC & 24 V DC	100 ... 240 V AC & 100 ... 350 V DC
ND 50	M 1014 201	M 1014 221
ND 65	M 1014 202	M 1014 222
ND 80	M 1014 203	M 1014 223
ND 100	M 1014 204	M 1014 224
ND 125	M 1014 205	M 1014 225
	15 ... 30 V AC & 12 ... 48 V DC	
ND 150	M 1014 206	M 1014 226
ND 200	M 1014 207	M 1014 227
ND 250	M 1014 208	M 1014 228
ND 300	-	M 1014 229



## DIMENSIONS [mm]

	D1	E	I	L	H	H1	
ND 50	94	43	92	193	287	63	ER 20
ND 65	111	46			302	71.5	ER 35
ND 80	127	52	128	208	336	91	ER 60
ND 100	151				356	106	
ND 125	180	56	215	275	372	121	ER 100
ND 150	206	386			133	VS 150	
ND 200	261	60	215	275	498	164	VS 300
ND 250	318	68			533	199	
ND 300	(Contact us for more information)						



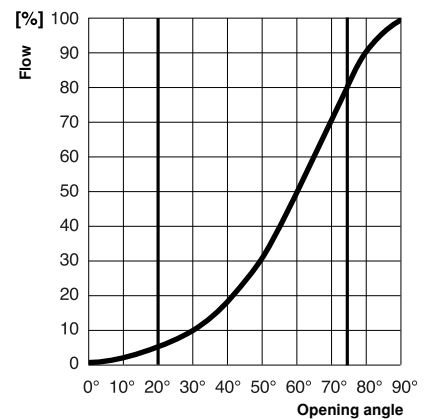
## PHYSICAL FEATURES

### Opening angle, flow, Kv

Kv in m<sup>3</sup>/h at pressure drop 1 bar

Example: ND 100 with opening angle of 50° --> Kv = 115 m<sup>3</sup>/h

	10°	20°	30°	40°	50°	60°	70°	80°	90°
ND 50		2	6	12	23	38	65	114	126
ND 65	-	4	10	23	40	70	115	205	228
ND 80		6	17	40	70	120	200	350	390
ND 100	1	10	28	65	115	190	320	560	620
ND 125		13	40	90	160	260	430	770	860
ND 150	2	26	80	175	310	520	860	1540	1710
ND 200	4	50	155	340	600	1010	1680	3040	3380
ND 250	6	100	300	660	1190	1980	3300	5950	6600
ND 300	8	125	370	820	1480	2460	4100	7370	8190



# BAMO INTERNATIONAL

22, Rue de la Voie des Bans · Z.I. de la gare · 95100 ARGENTEUIL  
 Tel +33 (0)1 30 25 83 20 Web www.bamo.eu  
 Fax +33 (0)1 34 10 16 05 E-mail export@bamo.fr

Electrically actuated butterfly valves  
**VEP - INOX**

05-11-2019

D-1014.03-EN-AA

**METAL**

**1014-03 /2**