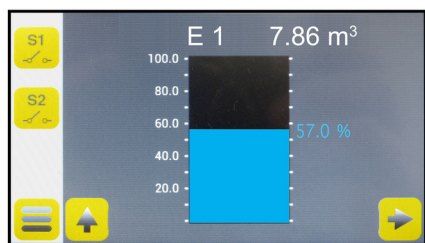


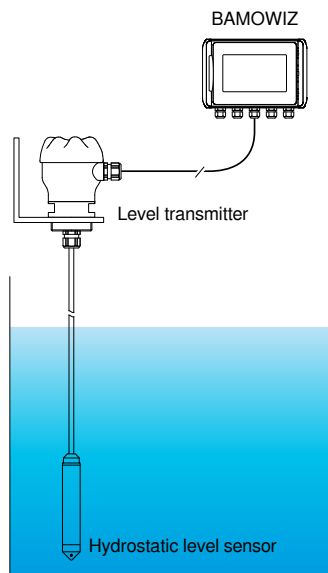
# Digital and graphical display BAMOWIZ



Digital display



Graphical display (Bar Graph)



Operating, example

- Graphic color touch-sensitive screen
- Multilingual end-user interface
- 2 (3) Inputs, 4-20 mA
- Setting of 8 thresholds for 2 (3) relays
- Units: set on keyboard
- 1 (0) Output 4-20 mA
- 1 (0) Serial interface RS485 MODBUS
- 1 (0) Frequency input

## APPLICATIONS

- Local display of any process (Level, turbidity, pressure, etc.)
- Flow counter and totalizer through frequency input
- Display and monitoring of measurements
- Display of level or volume with possibility of linearization
- Differential between two input signals (example: differential pressure with 2 sensors)

## DESCRIPTION

The instrument has a colour touch-sensitive screen to navigate through an intuitive and multilingual menu. BAMOWIZ converts analogue input signals (4-20 mA) and delivers clear information on its large digital and graphic (Bar Graph) display for an easy reading of measurements and thresholds status.

2 versions of BAMOWIZ available to cover different applications . Version 302 comes with 3 inputs, 2 relays, 8 thresholds to assign on 1 or 2 relays. Version 213 comes with 2 inputs 4-20 mA, 1 output 4-20 mA, 8 thresholds to assign at 2 or 3 relays, 1 frequency input and a serial interface RS485 MODBUS.

Settings are keyword protected.

BAMOWIZ has a flexibility of use for analysis of input data such as the display of level, volume or a specific parameter (pressure, temperature, turbidity, etc.). The keyboard on the touch screen allows you to set the measuring unit (Example:  $\mu\text{S}$ , Ohm,  $\Omega$ ,  $^{\circ}\text{C}$ , bar, etc.).

### To resume, BAMOWIZ allows:

- To choose the language
- To set the measurement range
- To choose the unit to display for each input
- To calculate and display the volume inside square or cylindrical tanks, or specific tanks (Linearization with 20 steps).
- To calculate and display the differential between inputs 1 and 2
- To set each of the 8 thresholds
- To assign each thresholds to relay outputs
- Counter and totalizer through the frequency input

### From graphic display you can access to:

- For each input: Identification (TAG) - Value - Unit
- Synoptic of measurements (Bar Graph)
- Identification and status of each relay
- Display of minima and maxima

**BAMO** INTERNATIONAL

22, Rue de la Voie des Bans · Z.I. de la gare · 95100 ARGENTEUIL

Tel +33 (0)1 30 25 83 20 Web [www.bamo.eu](http://www.bamo.eu)

Fax +33 (0)1 34 10 16 05 E-mail [export@bamo.fr](mailto:export@bamo.fr)

Digital and graphical display  
**BAMOWIZ**

16-10-2020

D-217.01-EN-AG

RE

217-01 /1

## TECHNICAL FEATURES

User interface	Graphic color touch-sensitive screen, 4/3 Resolution of 480 x 272 pixels
Languages	English; French; German; Polish; Portuguese; Spanish
Alphanumeric touch keyboard	Dedicated for each language
Displayed measuring units	By type writing, according to the process

### BAMOWIZ ... 302

Input signal	3 Inputs 4-20 mA, 2-wire, with power supply to sensors 12 ... 11 V DC / 0 ... 20 mA (input load 50Ω)
Relay outputs	2 relays, N.O. contacts, potential free
Thresholds	Up to 8 thresholds to assign to both relays
Switching power	3 A / 250 V AC
Hysteresis	To set between 0 and 100 %
Delay	To set between 0 and 9999 s

### BAMOWIZ ... 213

Input signal	2 Inputs 4-20 mA, 2-wire, with power supply to sensors 24 V DC / 0...20 mA (input load 50Ω) 1 Frequency input (0.04 Hz up to 10 kHz)
Output signal	1 output 4-20 mA (with or without linearization)
Relays	3 relays, N.O. contacts, potential free
Thresholds	Up to 8 thresholds to assign to 2 or 3 relays
Switching power	3A / 250 V AC
Hysteresis	To set between 0 and 100 %
Delay	To set between 0 and 9999 secondes
Communication	Serial interface RS485 MODBUS

Other features	Linearization through 20 steps Graphical display (Bar Graph) of measurements Display of min. and max. values Differential [ input 1 - input 2 ]; Available on display, thresholds Flow counter and totalizer with pulse signal (0.04 Hz up to 10 kHz)
----------------	---

Main power	100 ... 240 V AC 50/60 Hz
Consumption	Max. 5 VA
Cable connections	Screw terminals
Cable inlets	5 Cable glands, PG 9

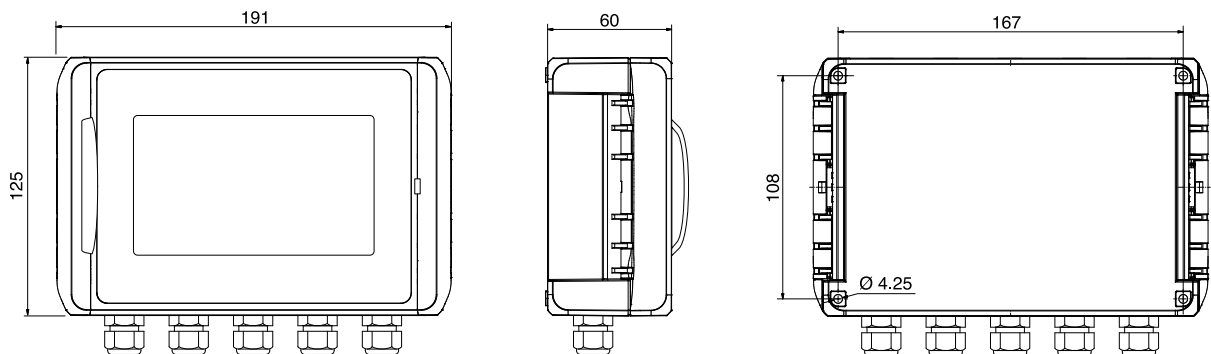
Mounting	IP 65 cabinet, in ABS
Operating temperature	-10 ... +50 °C

**EC Conformity: The instrument meets the legal requirements of the current European Directives.**

## CODE NUMBERS AND REFERENCES

Code	Reference	Description	Output signal	Relay output	Communication
217 302	BAMOWIZ 302	3 Inputs 4-20 mA / 12 V DC	-	2 Outputs N.O. contacts	-
217 213	BAMOWIZ 213	2 inputs 4-20 mA / 24 V DC 1 Frequency input	4-20 mA	3 outputs N.O. contacts	RS 485 Interface, MODBUS

## DIMENSIONS



**BAMO** INTERNATIONAL

22, Rue de la Voie des Bans · Z.I. de la gare · 95100 ARGENTEUIL  
 Tel +33 (0)1 30 25 83 20 Web [www.bamo.eu](http://www.bamo.eu)  
 Fax +33 (0)1 34 10 16 05 E-mail [export@bamo.fr](mailto:export@bamo.fr)

Digital and graphical display  
**BAMOWIZ**

16-10-2020

D-217.01-EN-AG

RE

217-01 /2