

Recorder - Digital and Graphic indicator NANODAC



- 3.5" TFT color display, 320x240 resolution
- 4 Inputs: TC, RTD, mA, mV and V
- 1 Logic data input / output
- 2 potential free contact Inputs
- 4 Relay outputs
- 14 Virtual channels:
Calculations, totalisers, counters ...
- Modbus Slave Ethernet TCP
- Ethernet Transfer (FTP)
- Casing IP 65, NEMA 4X

APPLICATIONS

- Records, secured, high accuracy

DESCRIPTION

NANODAC™ Recorder / Regulator offers the ultimate in recording (high accuracy & secured recording, high resolution LCD) in a 1/4 casing. Standard supply includes 4 free potential inputs, 4 analogue inputs and 14 calculation channels. The 10/100Mb Ethernet port monitors Modbus TCP Slave and FTP Client Server protocols. Its USB port allows local data recovery on USB memory stick. The exploitation of acquired data is done via the software Review. The device is fully programmable via the front panel, or graphically via the iTools software.

TECHNICAL FEATURES

Power supply	100 ... 230 V AC ±15 % 48-62 Hz
Power dissipation	9 W
Ambient temperature	Operating: 0 ... 55 °C Storage: -20 ... +70 °C
Humidity	RH: 5 ... 85 % (without condensation)
Protection	Front: IP 65; Rear panel: IP 10
Area:	For non hazardous area, non corroding atmospheres.
Electrical protection	BS EN61010-1 (category II)
Interfaces	Type 10/100 BaseT Ethernet (IEEE802.3)
Protocols	Modbus TCP/IP slave, FTP, DHCP
Cable	Category 5, Max. length 100 m, terminal RJ45
USB port	(x1) USB 1.1, at rear panel
Supported devices	Memory stick (not included), Max. 8 Go

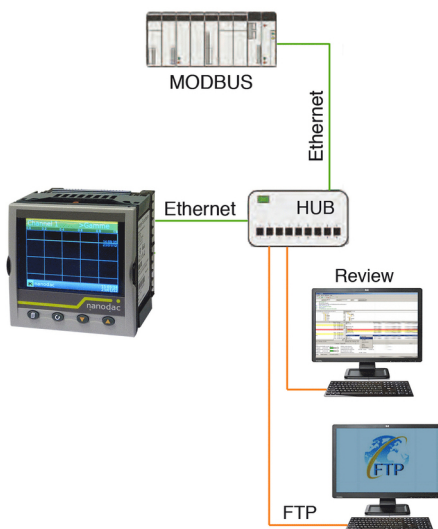
Conformity UL EN61010

EC Conformity: The instrument meets the legal requirements of the current European Directives

Accessory Wall mount cabinet, IP 66, transparent cover

CODE NUMBERS AND REFERENCES

Code	Reference	Description
212 400	NANODAC	Recorder / Regulator
212 410	Cabinet	Wall mount, plastic, IP 66, for NANODAC



BAMO INTERNATIONAL

22, Rue de la Voie des Bans · Z.I. de la gare · 95100 ARGENTEUIL
Tel +33 (0)1 30 25 83 20 Web www.bamo.eu
Fax +33 (0)1 34 10 16 05 E-mail export@bamo.fr

Recorder - Digital and Graphic
indicator
NANODAC

25-10-2019

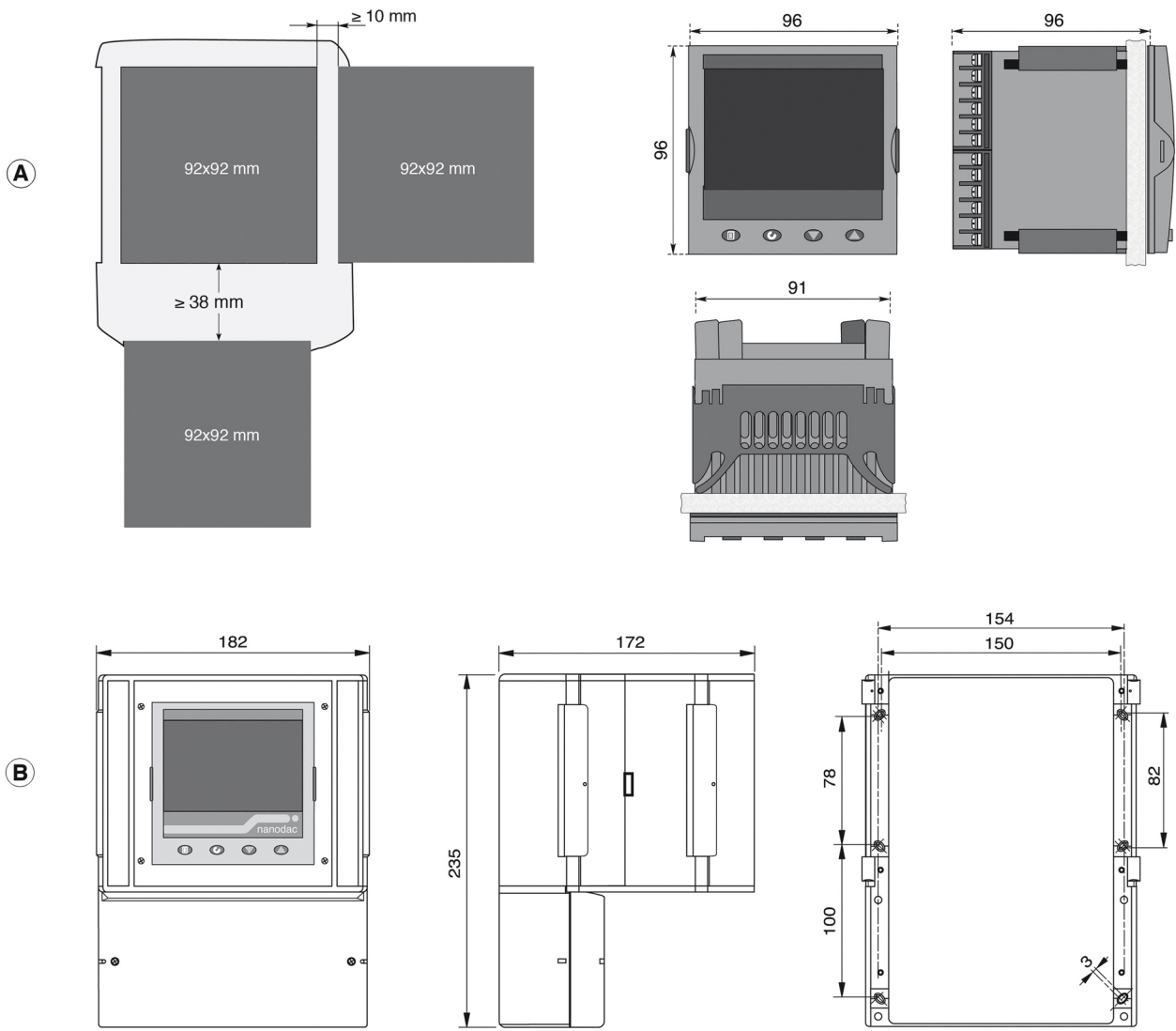
D-212.02-EN-AA

RE

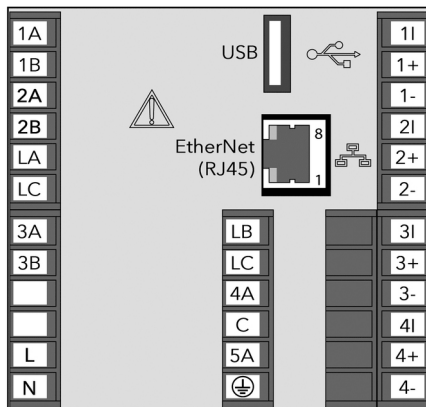
212-02/1

DIMENSIONS

A: Panel mount, cut 92x92 (91,9 x 91,9 / TG = -0, +0,8)
 B: Wall mount, IP 66 cabinet (code 212 410)



REAR PANEL



1A, 1B	Data logic input/output 1
2A, 2B	Output relay 2
LA, LC	Data logic input A / potential free contact
3A, 3B	Output 3 relay or analogue DC
L, N	Power supply
LB, LC	Data logic input B / potential free contact
4A, C	Output 4 (C common with output 5)
5A, C	Output 5 (C common with output 4)
1I, 1+, 1-	Analogue input 1 (TC, RTD, mA, mV, V)
2I, 2+, 2-	Analogue input 2 (TC, RTD, mA, mV, V)
3I, 3+, 3-	Analogue input 3 (TC, RTD, mA, mV, V)
4I, 4+, 4-	Analogue input 4 (TC, RTD, mA, mV, V)

BAMO INTERNATIONAL

22, Rue de la Voie des Bans · Z.I. de la gare · 95100 ARGENTEUIL
 Tel +33 (0)1 30 25 83 20 Web www.bamo.eu
 Fax +33 (0)1 34 10 16 05 E-mail export@bamo.fr

Recorder - Digital and Graphic
 indicator
NANODAC

25-10-2019

D-212.02-EN-AA

RE

212-02/2