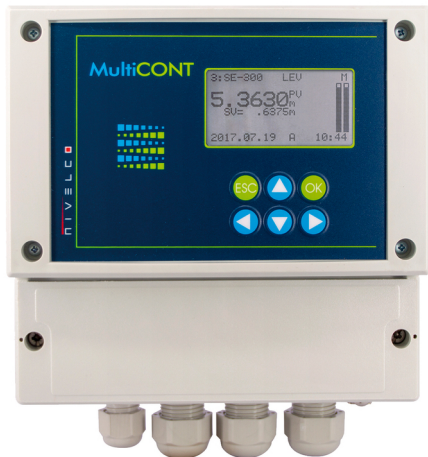


Multi-parameter monitor MultiCONT



- Versions from 1 to 15 channels
- Graphic display: LCD or OLED
- Power supply to transmitters
- RS485, protocol HART® or Modbus®
- Relay outputs or/and 4-20mA outputs

APPLICATIONS

- Process controls with 2 or 4-wire compatible transmitters, using protocol HART® or Modbus®.

DESCRIPTION

The MultiCONT is a universal interface between various level transmitters using HART® or Modbus® protocol and the other elements of the process control system such as the PC or PLC.

Up to 15 connected transmitters:

MultiCONT can communicate with up to 15 transmitters (2- or 4-wire) with HART® protocol, but, with only 6 radar transmitters PiloTREK (maximum).

Note: MultiCONT delivers power supply to a maximum of 2 transmitters.

Control unit, settings, interfacing:

The unit can perform various operations such as remote settings, loading the programming of a unit or downloading measured values. The graphic screen facilitates access to a wide variety of functions such as to display the contents of a tank or status of compatible ultrasonic transmitters.

Analog outputs, relay outputs and / or RS485:

MultiCONT offers numerous configuration possibilities, obtained by adding and combining scalable modules: up to 2 analog outputs and / or from 1 to 5 relays. The option RS485 interface allows to connect several MultiCONT together to increase the number of transmitters in use.

ATEX version:

ATEX version of the MultiCONT allows you to control a multipoint system with a maximum of 4 devices (or only 2 PiloTREK); The unit must be installed in the safe area. MultiCONT Ex versions provide power for 2-wire Ex compatible transmitters installed in hazardous areas and display the measured values.

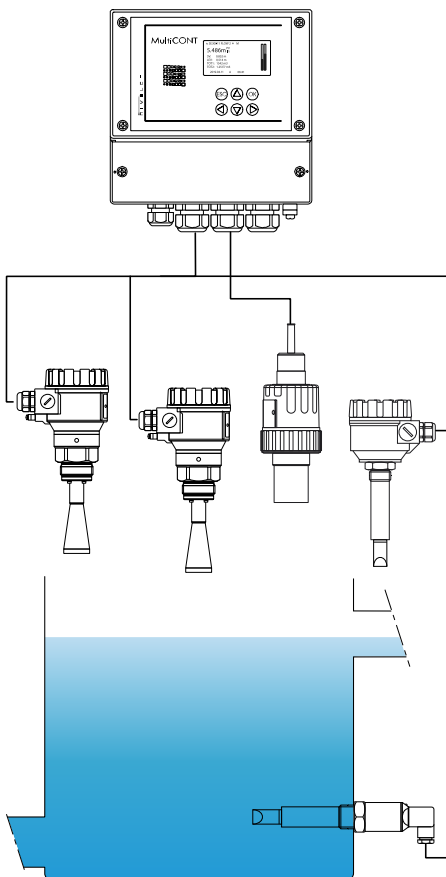
Benefits:

The MultiCONT is competitive regarding all possibilities it offers, it achieves an incomparable low investment with multiple connected transmitters, up to.

CODE NUMBERS AND REFERENCES

Code: 225 _ _ _

In order to precisely identify the most suitable system and obtain additional information, please contact us.



Up to 15 channels

BAMO INTERNATIONAL

22, Rue de la Voie des Bans · Z.I. de la gare · 95100 ARGENTEUIL

Tel +33 (0)1 30 25 83 20 Web www.bamo.eu

Fax +33 (0)1 34 10 16 05 E-mail export@bamo.fr

Multi-parameter monitor
MultiCONT

15-02-2020

D-225.01-EN-AB

RE

225-01 /1

TECHNICAL FEATURES

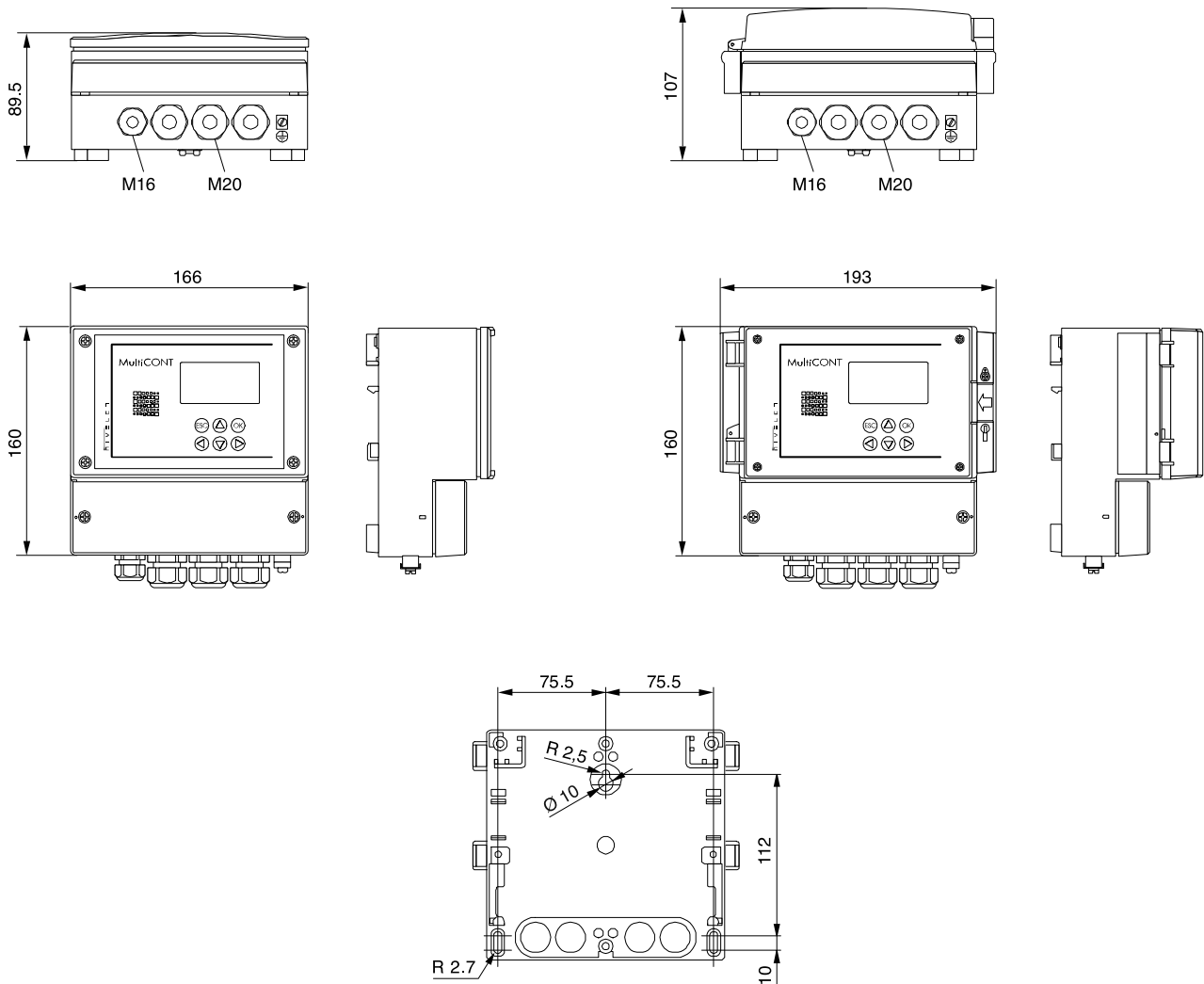
Power supply	85 ... 255 V AC 50/60 Hz; 12 VA 11.4 ... 28 V AC 50/60 Hz; 12 VA 11.4 ... 40 V DC; 11 W
Power supply to transmitters	30 V DC; 60 mA
Display	LCD or OLED display unit; 128 x 64 pts
Relay outputs (Max. 5)	4 or 5 relays, SPDT, 250 V AC, AC1, 5 A
Analogue output (Max. 2)	1 or 2 analogue outputs 4–20 mA With galvanic insulation and overvoltage protection, load Max. 500 Ohm
Communication	RS 485 serial link with HART® or Modbus® protocol
Records capacity	Memory: 65,000 data on memory card (Max. 64 Gb)
Cabinet	IP 65 - Polycarbonate - Wall mounting - Mass: 0.9 kg Version with transparent plastic lid
Ambient temperature	-20 °C ... +50 °C
Electrical protection	Class I / III

ATEX versions, Ex ia

Ex class	Ex II (1) G [Ex ia Ga] IIB, Ex II (1) D [Ex ia Da] IIIC
Intrinsic safety	U _o = 30 V, I _o = 140 mA, P _o = 1 W, L _o = 4 mH, C _o = 200 nF, U _m = 253 V
Power supply to Ex transmitters	25 V DC; 22 mA
Ambient temperature	-20...+50 °C

EC Conformity: The instrument meets the legal requirements of the current European Directives.

DIMENSIONS [mm]



BAMO INTERNATIONAL

22, Rue de la Voie des Bans · Z.I. de la gare · 95100 ARGENTEUIL

Tel +33 (0)1 30 25 83 20 Web www.bamo.eu

Fax +33 (0)1 34 10 16 05 E-mail export@bamo.fr

Multi-parameter monitor
MultiCONT

RE

225-01 /2

15-02-2020

D-225.01-EN-AB