

## GENERAL PURPOSE WATER METER

### BRASS SCREW END

Flow Measurement

& Monitoring



#### DESCRIPTION

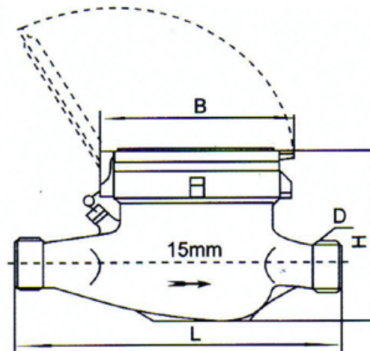
The brass screw end water meter is used to measure total quantity of cold potable water passing through the pipeline. The vacuum sealed register ensure the dial is free from fog and keep the reading clear in a long term service. Measuring accuracy conform to ISO 4064. The removable element facilitate installation and maintenance.

#### TECHNICAL FEATURES

**Water Temperature** Max 40°C  
**Working Pressure** Max 1 MPa

#### FEATURES

- ✓ Removable element
- ✓ Easy installation & maintenance
- ✓ Excellent long term stability
- ✓ Interchangeable parts
- ✓ Magnetic transmission
- ✓ Long driving resistance
- ✓ Reliable sensitive action



(mm)

Size	L	B	H	Connecting Thread D	Weight (kg)
15	165	98	104	G 3/4 B	1.3
25	260/225	103	112	G 1 1/4 B	1.7
40	300/245	124	147	G 2 B	4.0

I-SYSTEM MEASUREMENT  
[www.ismesb.com](http://www.ismesb.com)



GENERAL PURPOSE WATER METER  
BRASS SCREW END

09-2021

I-SYSTEM

912006

I-SYSTEM

912/006

TECHNICAL DATA

Size	Max Flow (Qs)	Nominal Flow (Qp)	Transitional Flow (Qt)	Min Flow (Qmin)	Min Reading	Max Reading
mm	m <sup>3</sup> /h		L/h		m <sup>3</sup>	
15	3	1.5	150	60	0.0001	999999
25	7	3.5	350	140	0.0001	999999
40	20	10	1000	400	0.001	999999

PRESSURE LOSS CURVE

